



CASA DE DIOS



Construction Plans

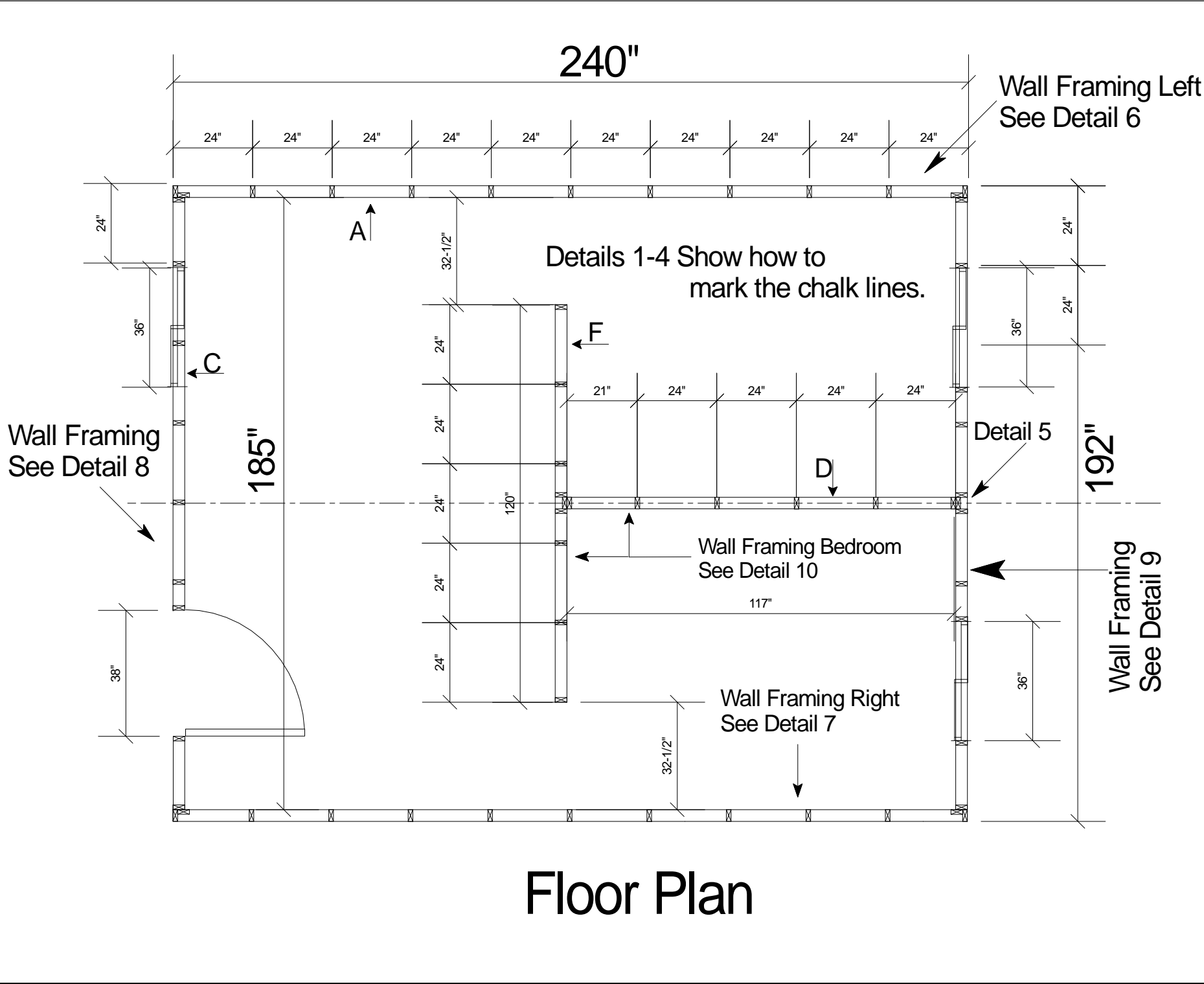


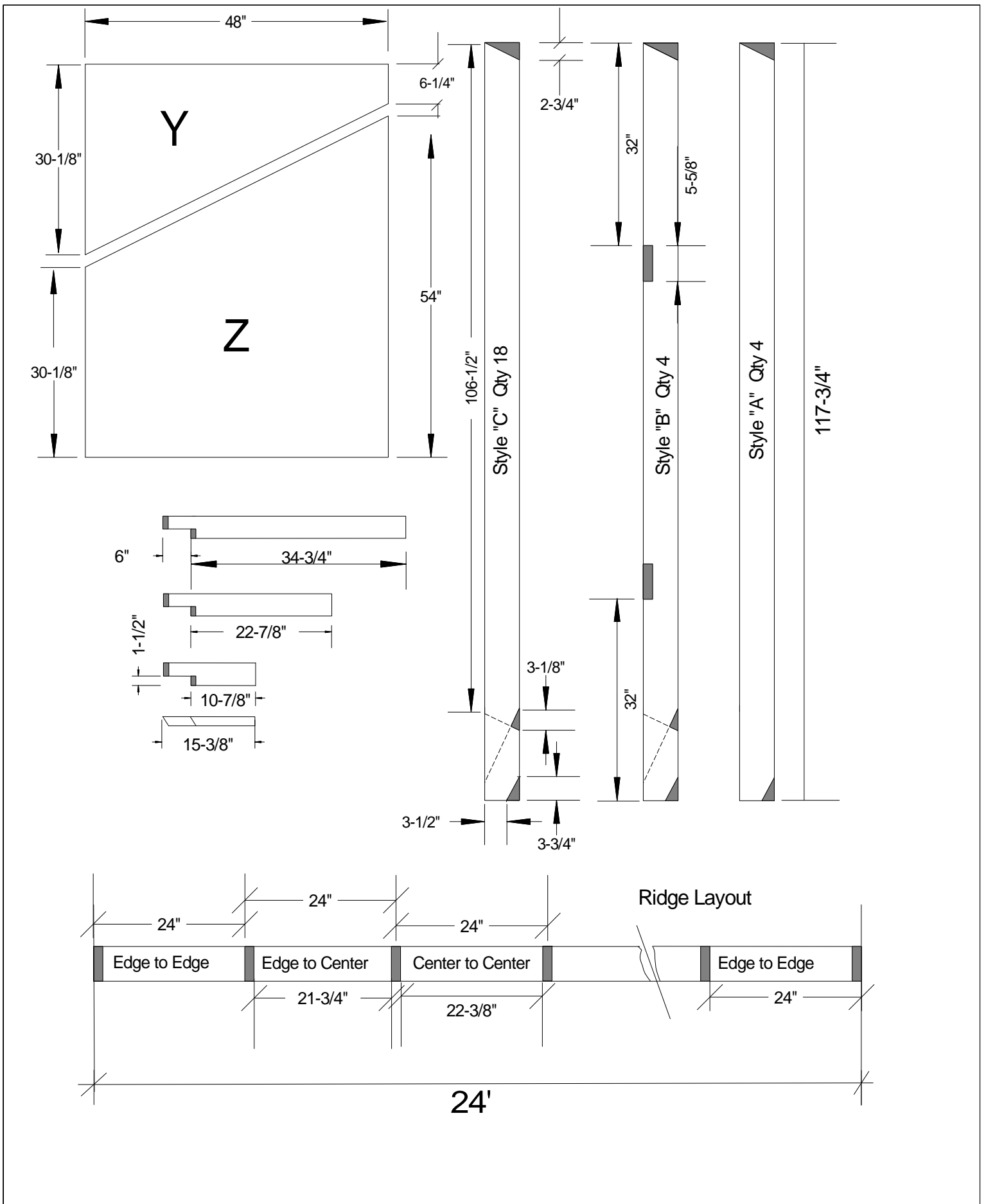
Casa de Dios Cut List

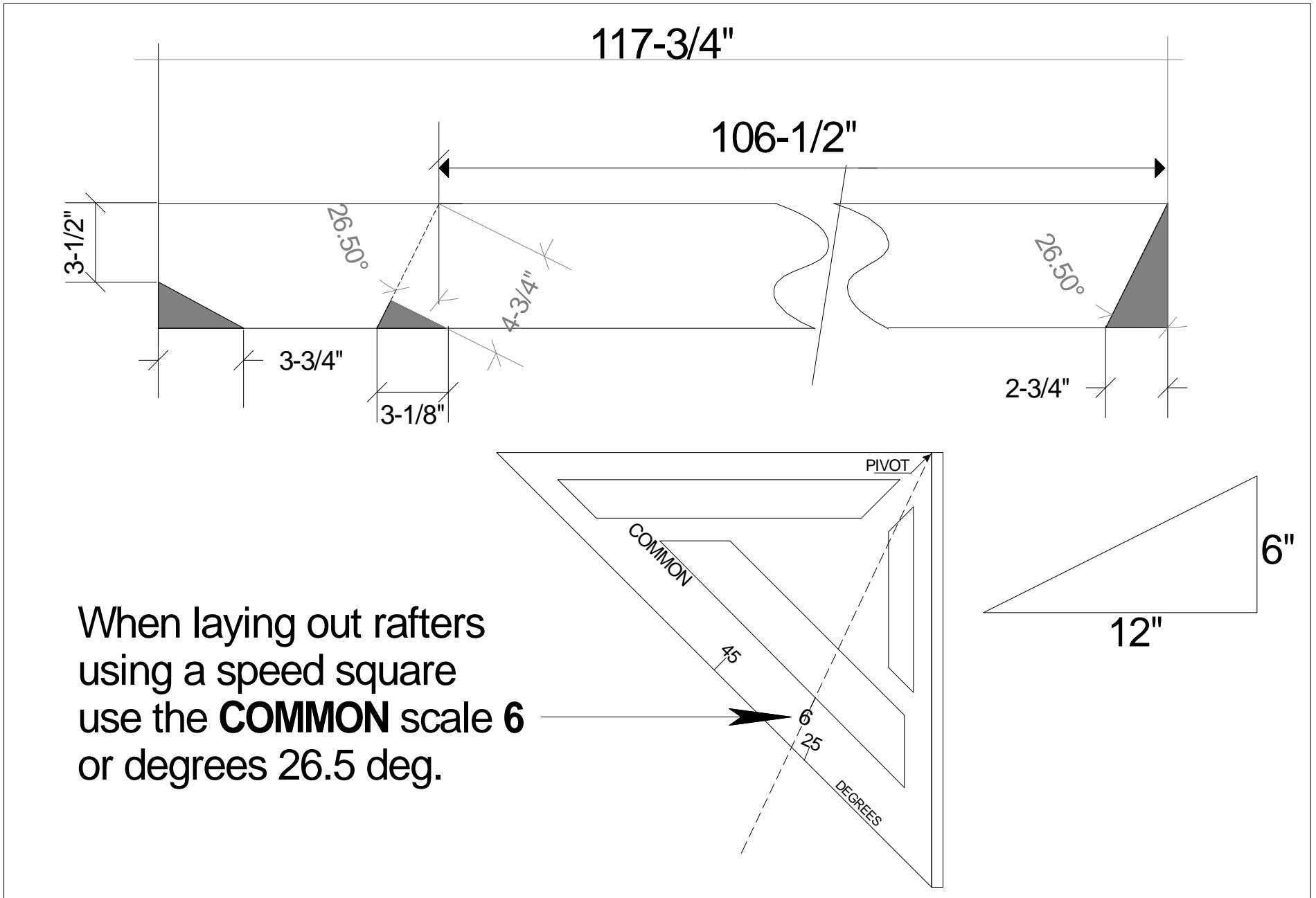
Legend	Qty	Dimension	Location/Description
A	4	2"x 4" x 20'	Long Wall Top and Bottom Plate
B	4	2"x 4" x 185"	Short Wall Top and Bottom Plate
C	3	2"x 4" x 16'	Top Plates Short Walls
D	4	2"x 4" x 118-3/4"	Bedroom Top Plate/Center Wall Top/Bottom Plate
E	2	2"x 4" x 110-3/4"	Top Plates Long Walls
F	2	2"x 4" x 10'	Bedroom Top/Bottom Plate
G	55	2"x4"x92-1/4"	studs walls
H	9	2"x 4" x 36"	Window Frames/Cripples
I	3	2"x 4" x 17-1/4"	Window Top Cripple
J	6	2"x 4" x 79"	Interior Wall Studs
K	1	2"x 4" x 41"	Door Header
L	4	2"x 4" x 10-1/8"	Door Cripple
H	2	2"x 4" x 36"	Headers bedroom Door
L1	4	2"x 4" x 11-3/4"	Door Cripple Center Wall
M	2	2"x4"x80-1/2"	Door stud
N	2	2"x 6" x 117-1/4"	Ledger Bedroom/Loft
O	5	2"x 6" x 182"	Bedroom Ceiling Joists
O1	1	2"x 6" x 16'	Bedroom Ceiling Joists
J1	2	48" x 96"	3/4" Plywood Loft
K1	1	48"x 94-1/2"	3/4" Plywood Loft
L1	1	40-3/4" x 94-1/2"	3/4" Plywood Loft
M1	2	22-1/2"x 48"	3/4" Plywood Loft
N1	1	24"x 48"	3/4" Plywood Loft
P1	1	24"x 40-3/4"	3/4" Plywood Loft
P	1	2"x 6" x 24'	Roof Ridge
Q	4	2"x 6" x 10'	Rafter - Fascia "A"
R	4	2"x 6" x 10'	Rafter - End Wall "B"
S	18	2"x 6" x 10'	Rafter - Common "C"
T	8	2"x 6" x 45-3/4"	Roof Lookouts
U	8	2"x 6" x 22-1/2"	Pressure/Bird Blocks Roof
U1	8	2"x 6" x 22-3/8"	Pressure/Bird Blocks Roof
V	4	2"x 6" x 21-3/4"	Pressure/Bird Blocks Roof Ends
W	4	4' x 4'	1/2" Plywood Roof Sheating
X	6	2' x 8'	1/2" Plywood Roof Sheating
Y	4	48" x 6-1/4" x 30-1/8"	1/2" Plywood Endwall
Z	4	48" x 30-1/8" x 54"	1/2" Plywood Endwall
A1	1	2"x 4" x 46-7/8"	Center Cripple Roof Stud
B1	4	2"x 4" x 10-7/8" – 15-3/8"	End Wall Roof Cripple
C1	4	2"x 4" x 22-7/8" – 29"	End Wall Roof Cripple
D1	4	2"x 4" x 34-7/8" – 40-3/4"	End Wall Roof Cripple
E1	4	2"x 4" x 12'	Fascia
F1	2	2"x 4" x 46-1/2"	Window Loft Frames/Cripples/Headers
G1	2	2"x 4" x 24"	Window Loft Frames/Cripples
H1	1	2"x 4" x 14-1/8"	Window Loft Top Cripple
I1	1	2"x 4" x 5-3/4"	Window Loft bottom Cripple

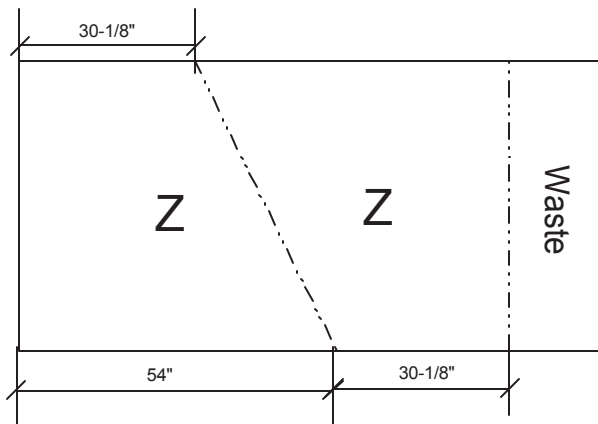
Notes: Verify ALL measurements!

Check ALL windows and doors **PRIOR** any cutting! Measure twice! Cut Once!

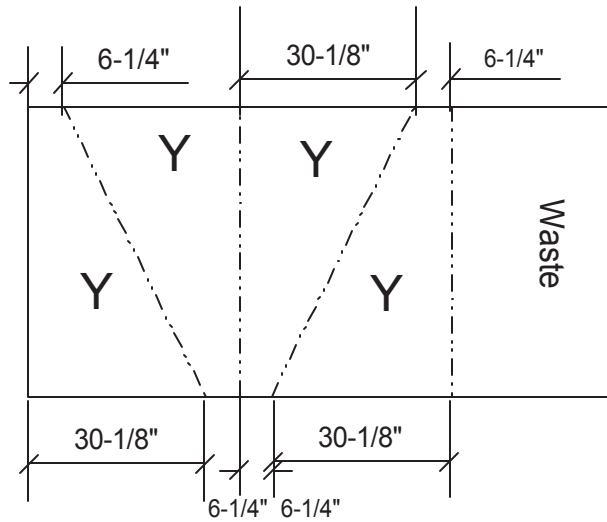




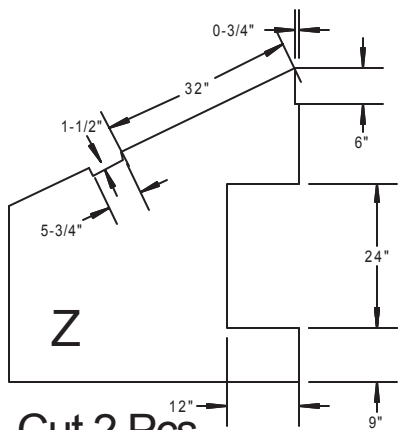




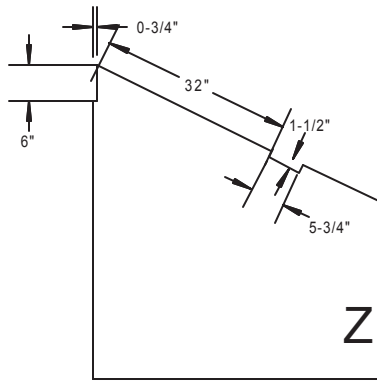
Make 4 letter Z's - 2 full sheets required



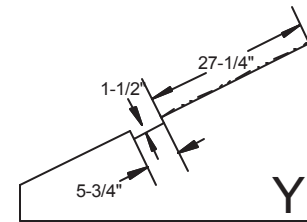
Make 4 letter Y's - 1 full sheet required



Cut 2 Pcs

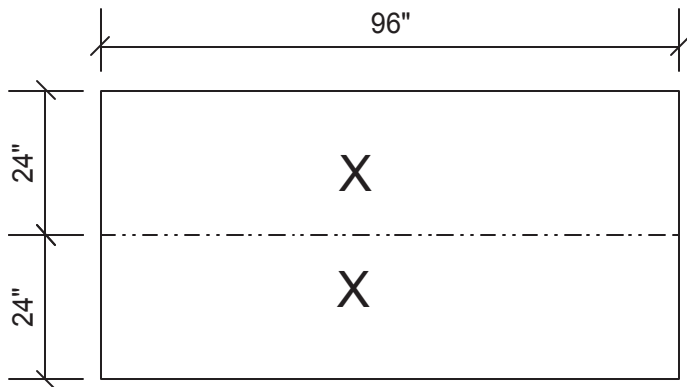


Cut 2 Pcs

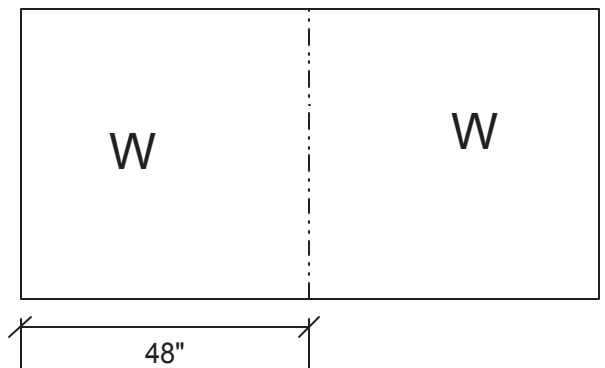


Cut 4 Pcs

Gable Endwall Plywood - Detail Cuts

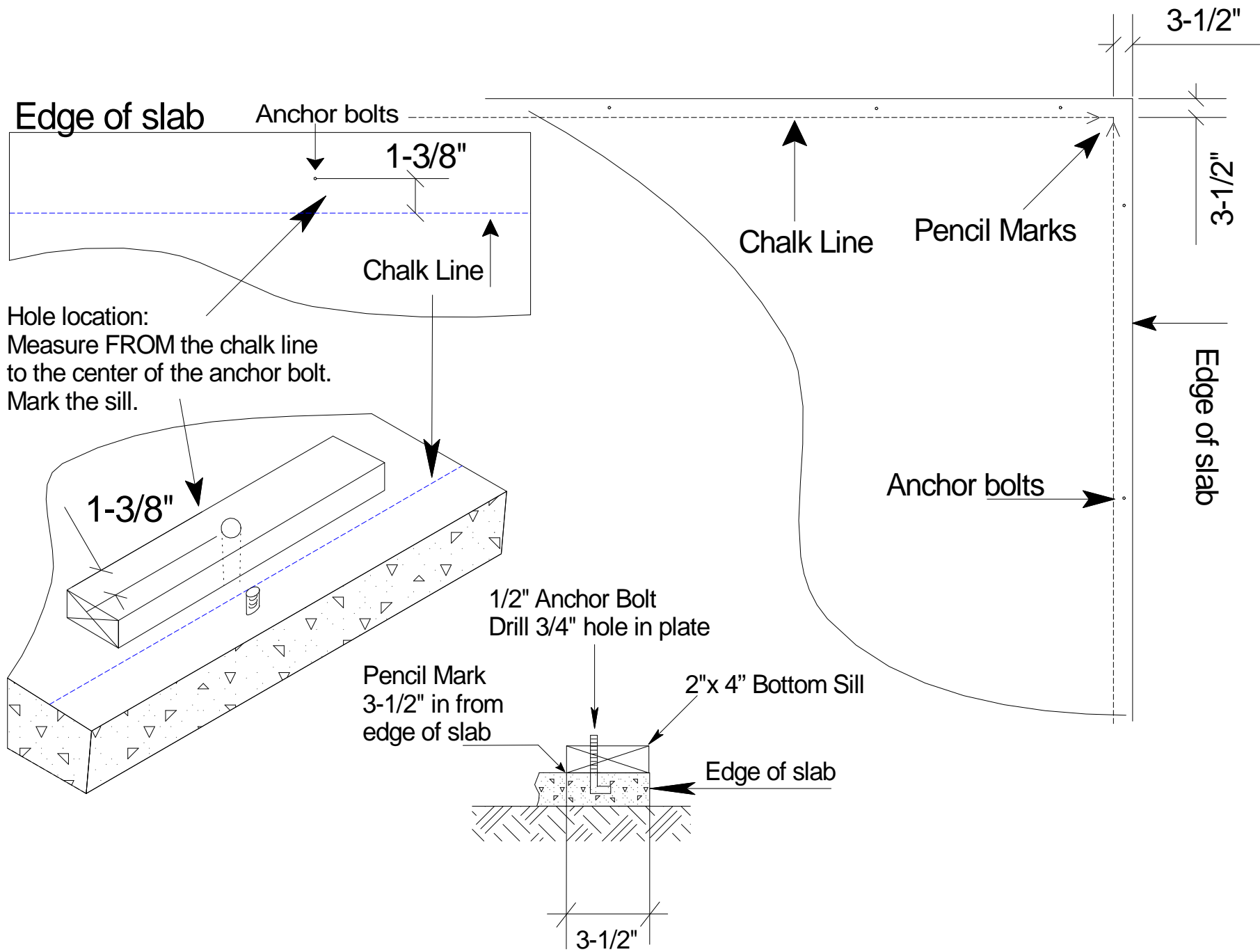


Make 6 letter X's - 3 full sheets required



Make 4 letter W's - 2 full sheets required

Roof Plywood Cutting Diagram



Edge of slab

Anchor bolts

1-3/8"

Chalk Line

Hole location:
Measure FROM the chalk line
to the center of the anchor bolt.
Mark the sill.

1-3/8"

1/2" Anchor Bolt
Drill 3/4" hole in plate

Pencil Mark
3-1/2" in from
edge of slab

2"x 4" Bottom Sill

Edge of slab

3-1/2"

3-1/2"

3-1/2"

Chalk Line

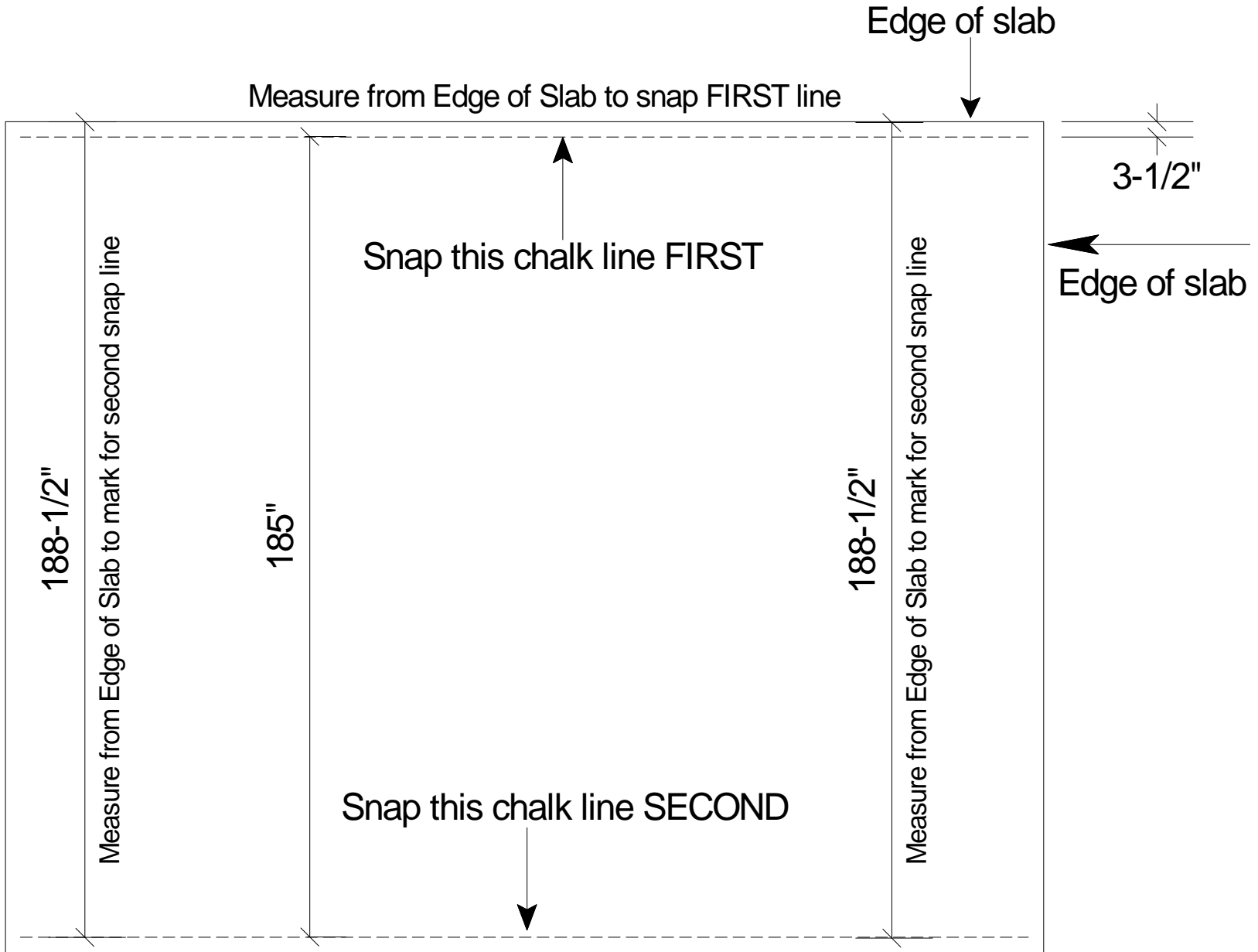
Pencil Marks

Anchor bolts

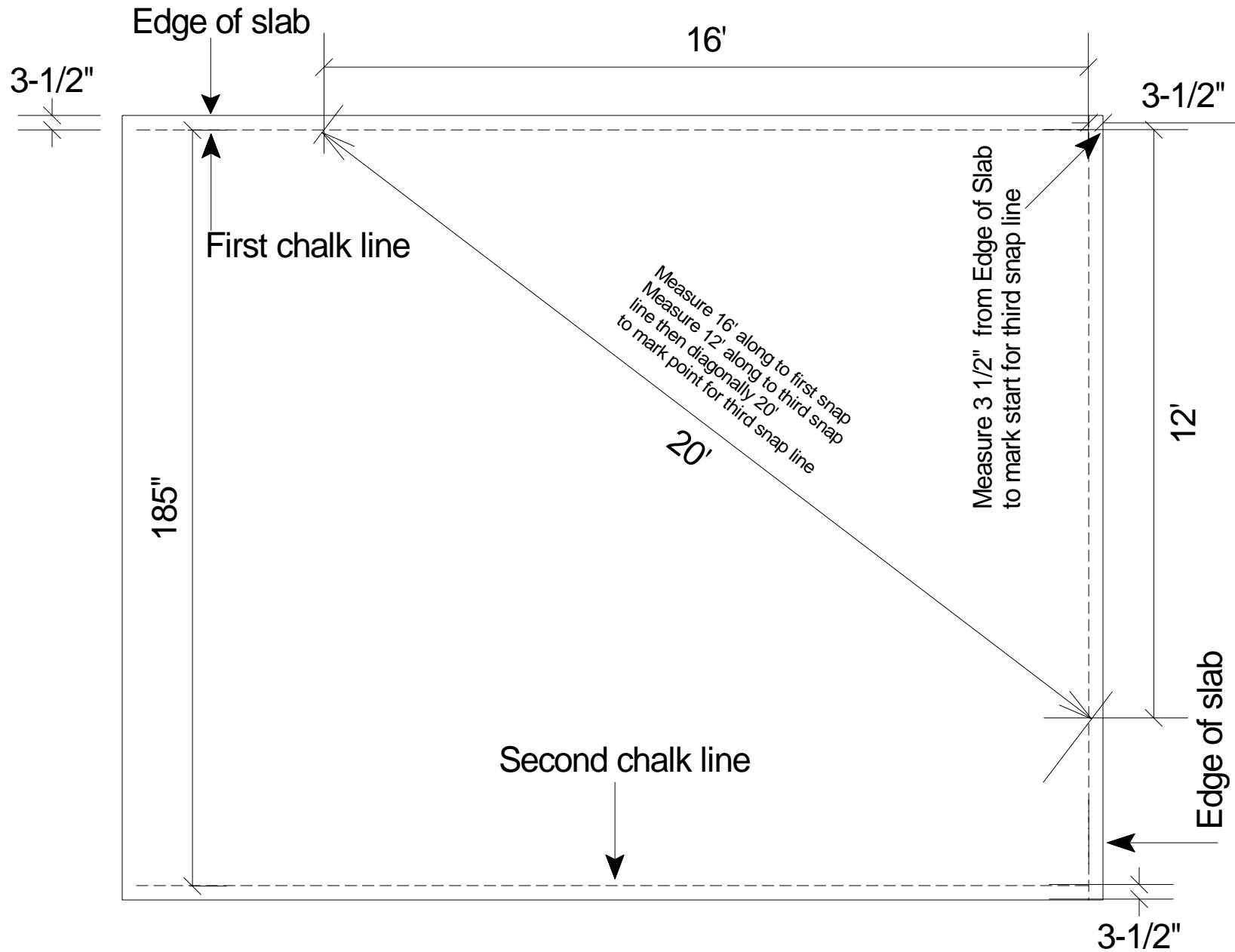
Edge of slab

Detail 1 Layout - Marking - Chalk Lines

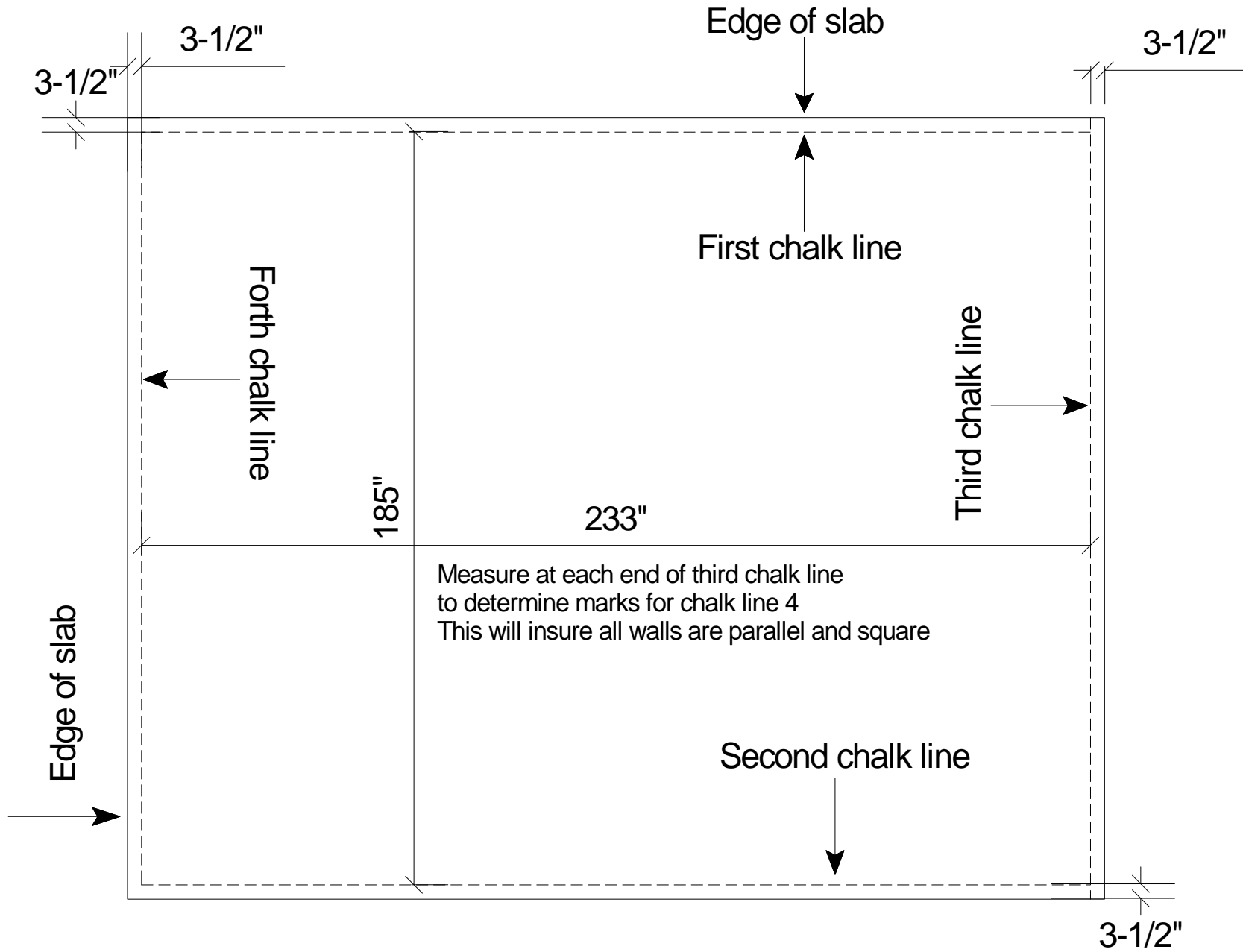
3-1/2"



Detail 2 - Layout Lines - Long Walls First

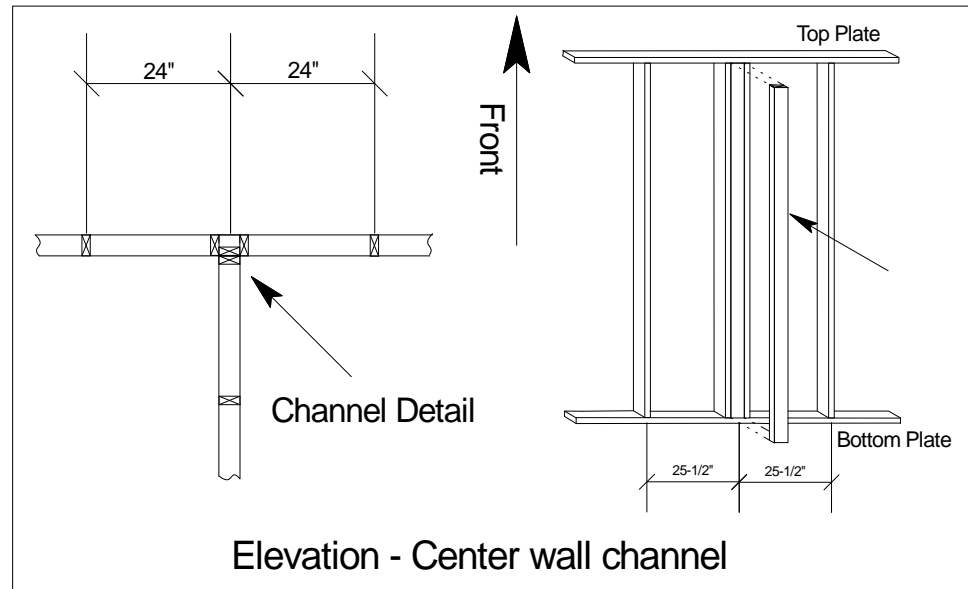
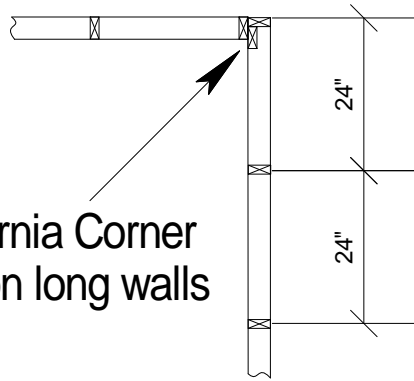


Detail 3 - Layout Lines - Short Walls Second

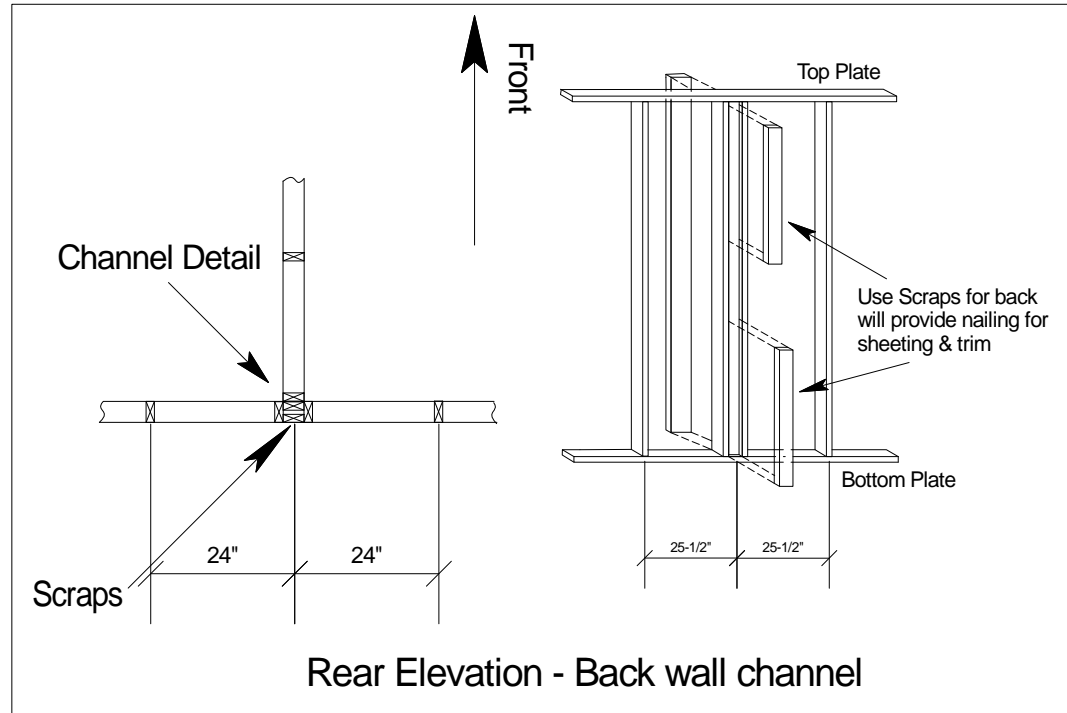


Detail 4 - Layout Lines - Short Walls Third

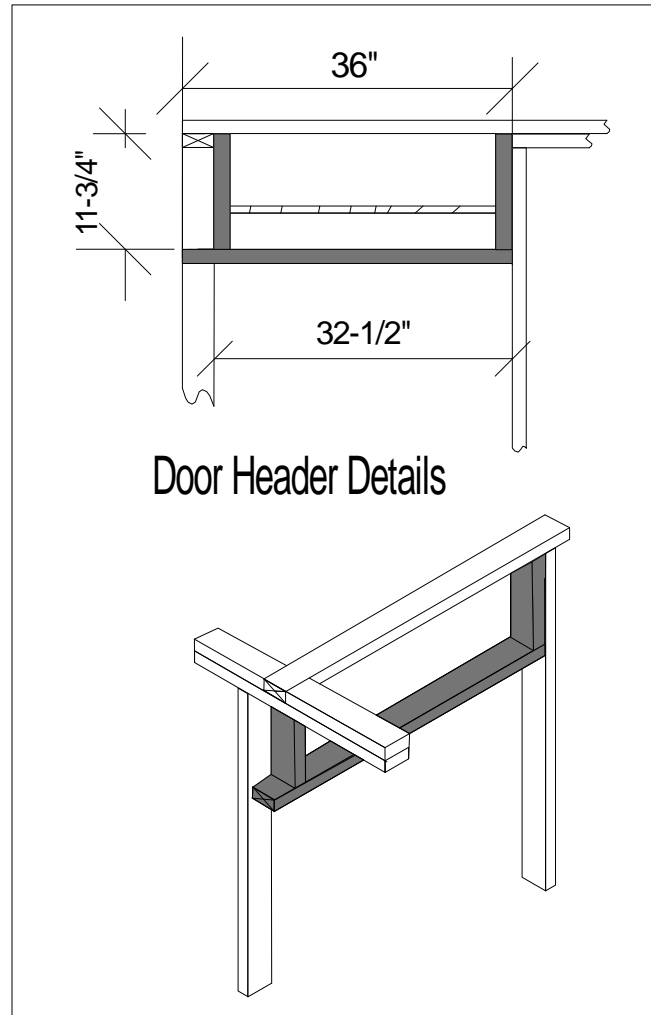
California Corner
only on long walls



Elevation - Center wall channel



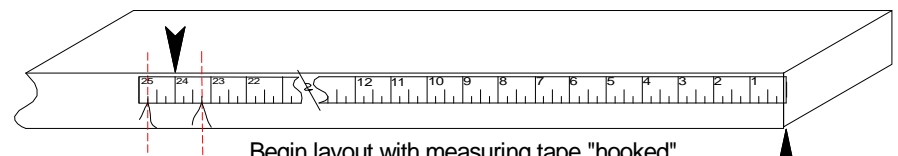
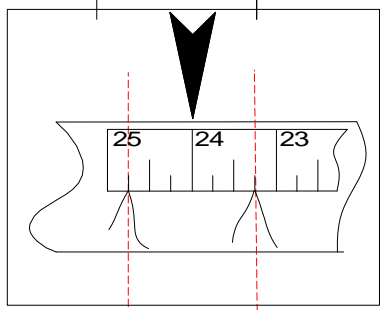
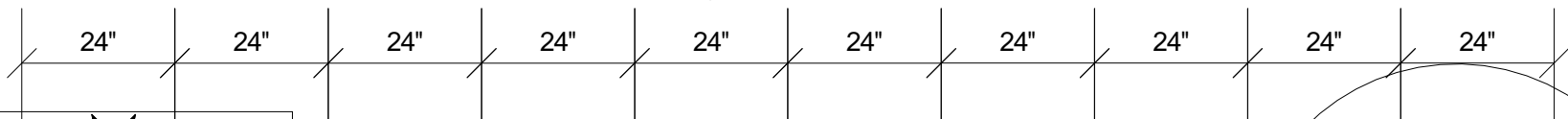
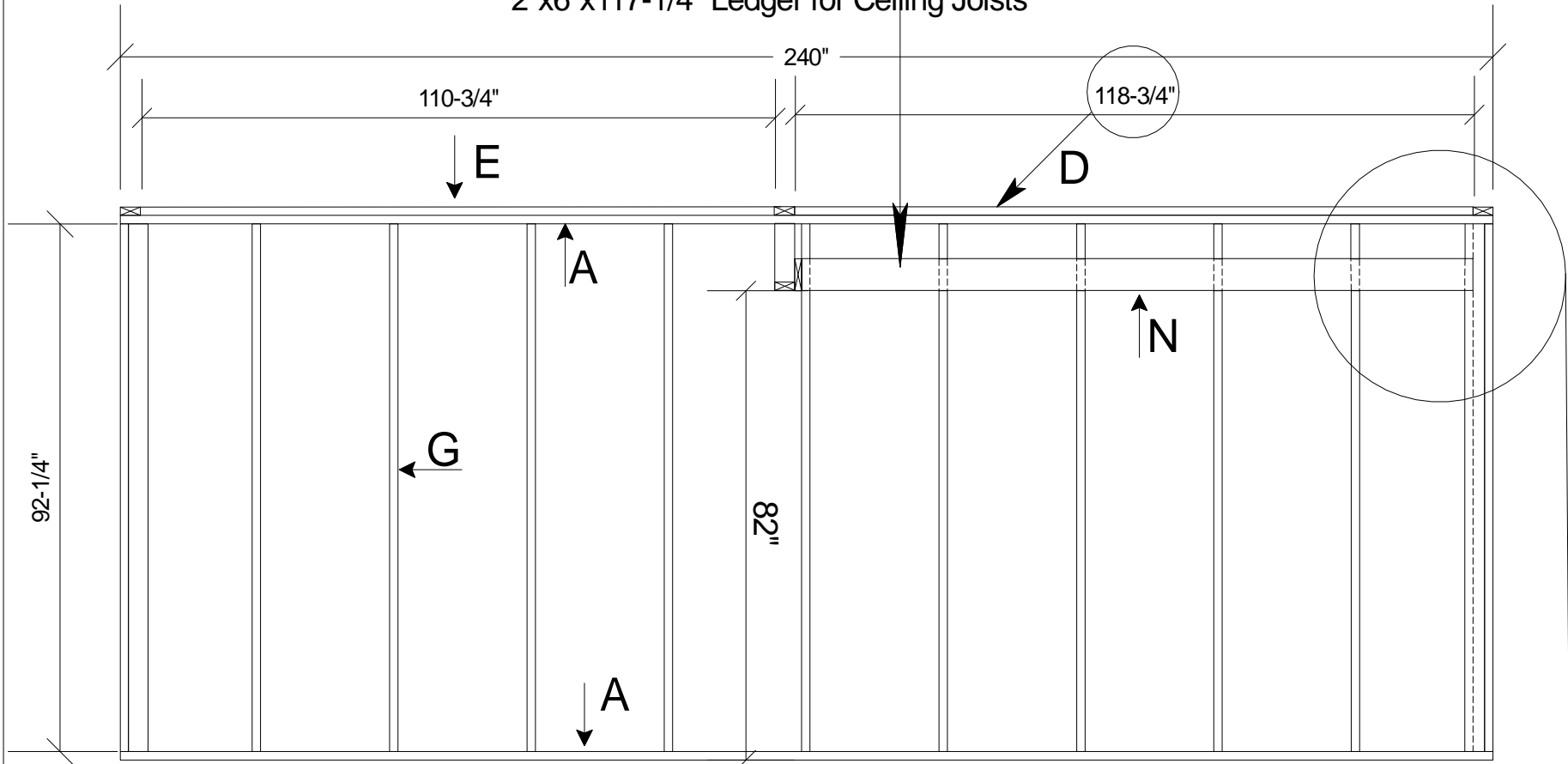
Rear Elevation - Back wall channel



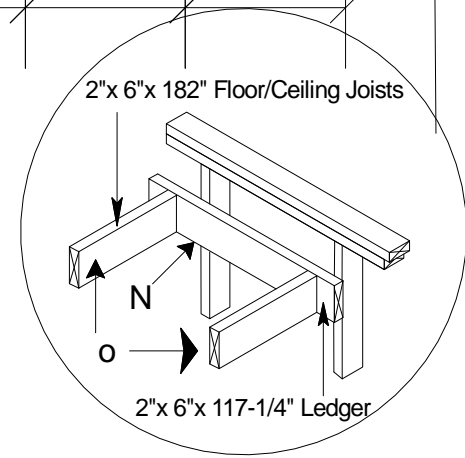
Door Header Details

Detail 5 - Floor Plan - Framing Details

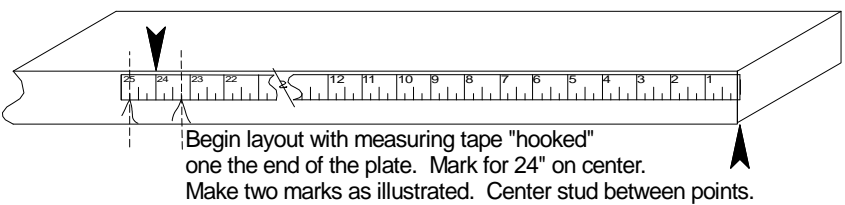
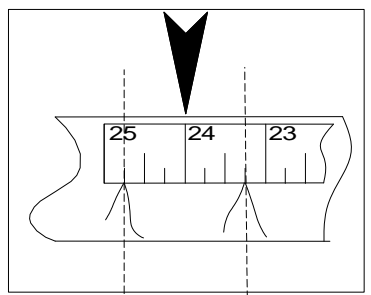
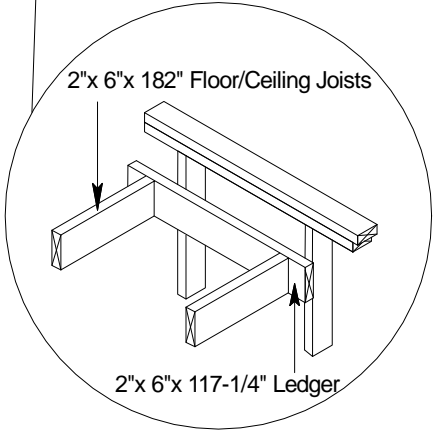
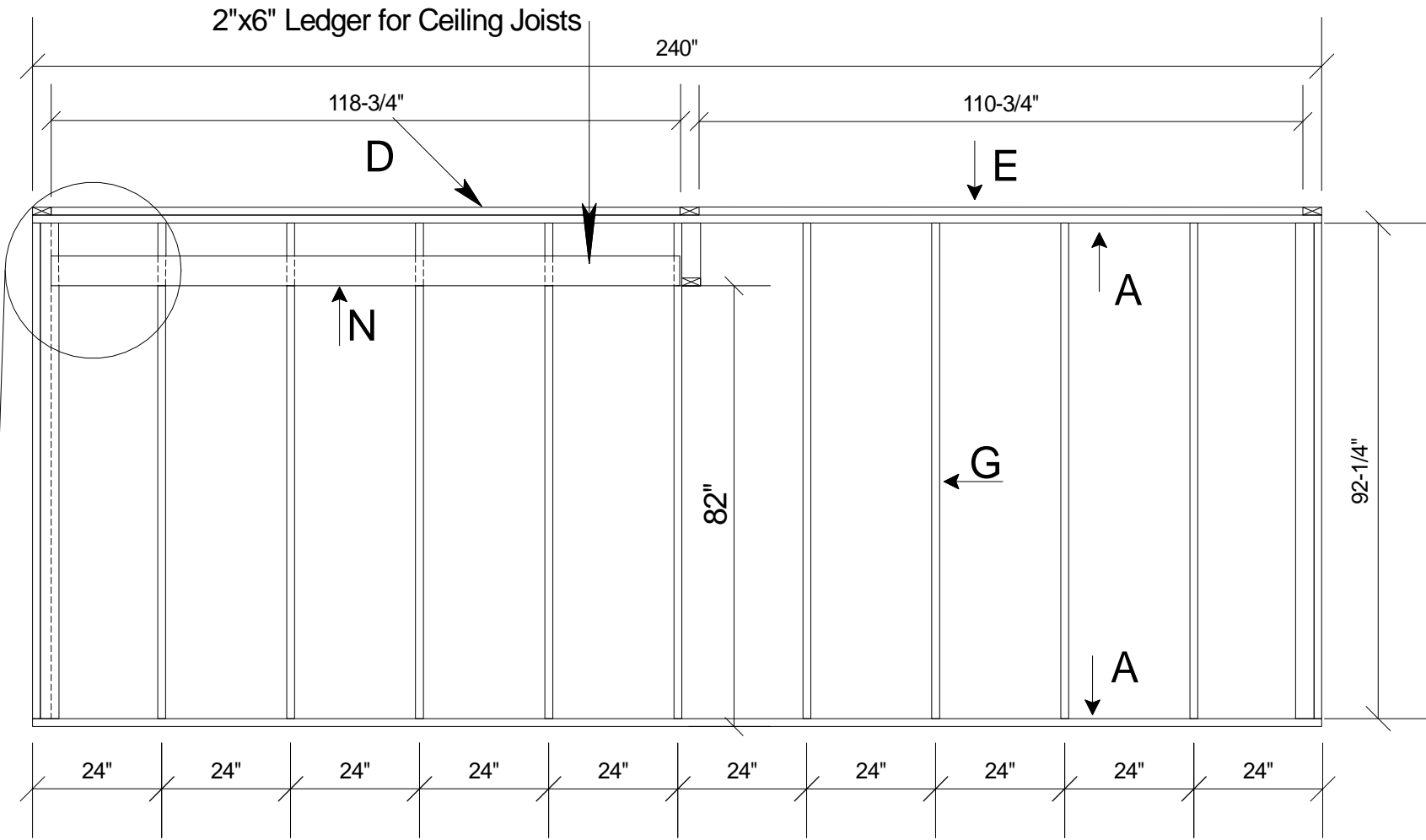
2"x6"x117-1/4" Ledger for Ceiling Joists



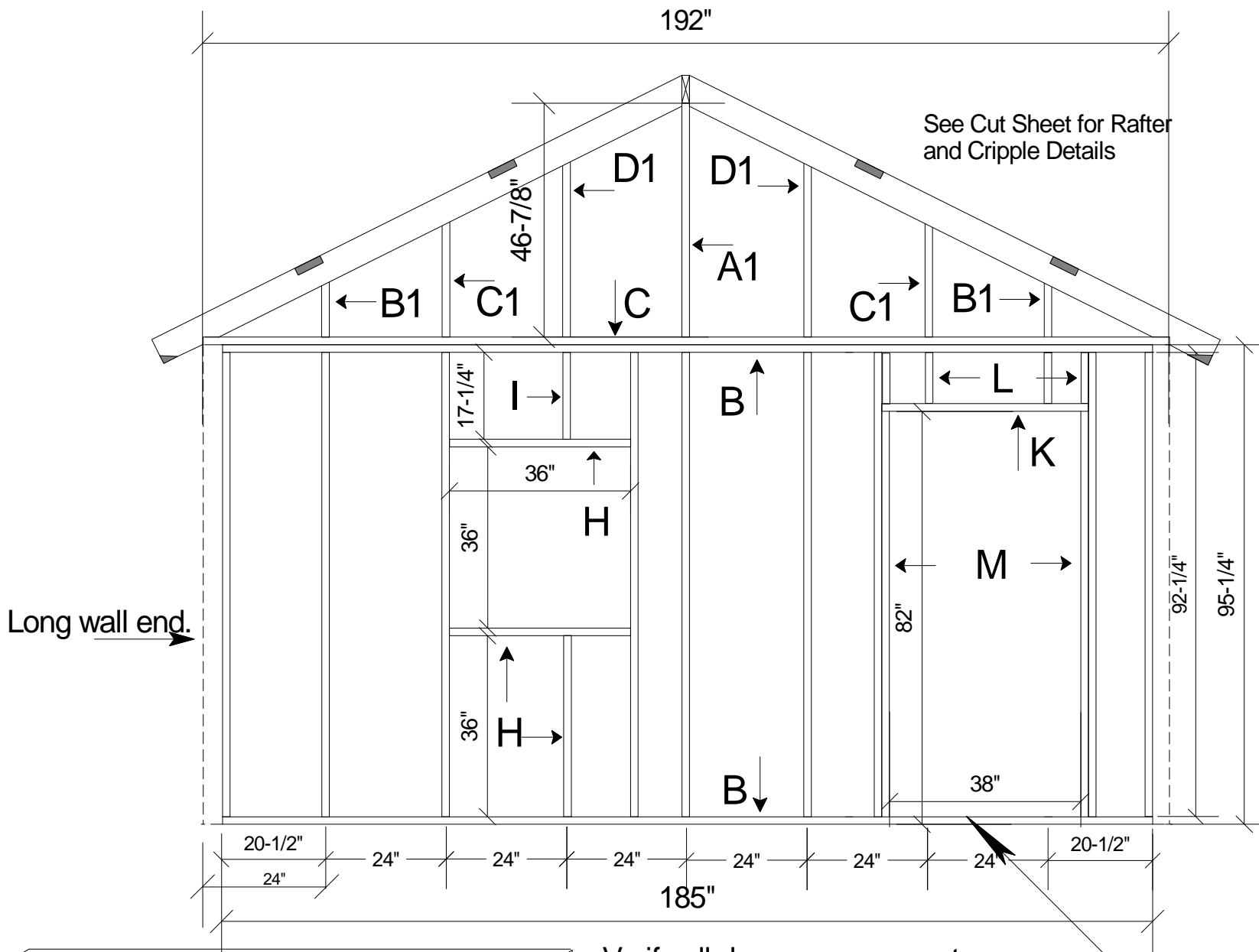
Begin layout with measuring tape "hooked" one the end of the plate. Mark for 24" on center. Make two marks as illustrated. Center stud between points.



Detail 6 - Long Wall Framing Left Side



Detail 7 - Long Wall Framing Right Side

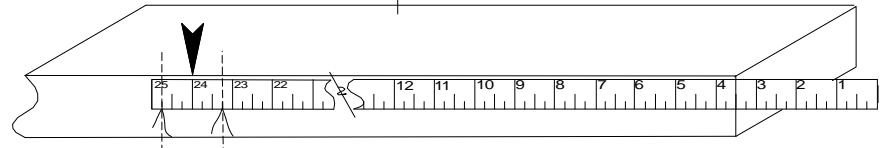


Long wall end. →

See Cut Sheet for Rafter and Cripple Details

Verify all door measurements.

Note: Watch or Anchor bolt locations indoor way.



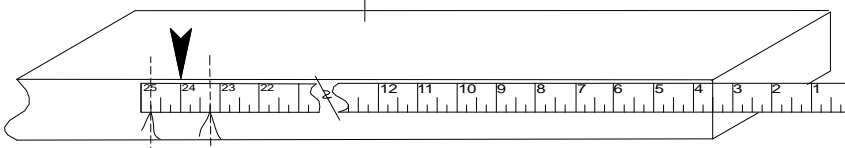
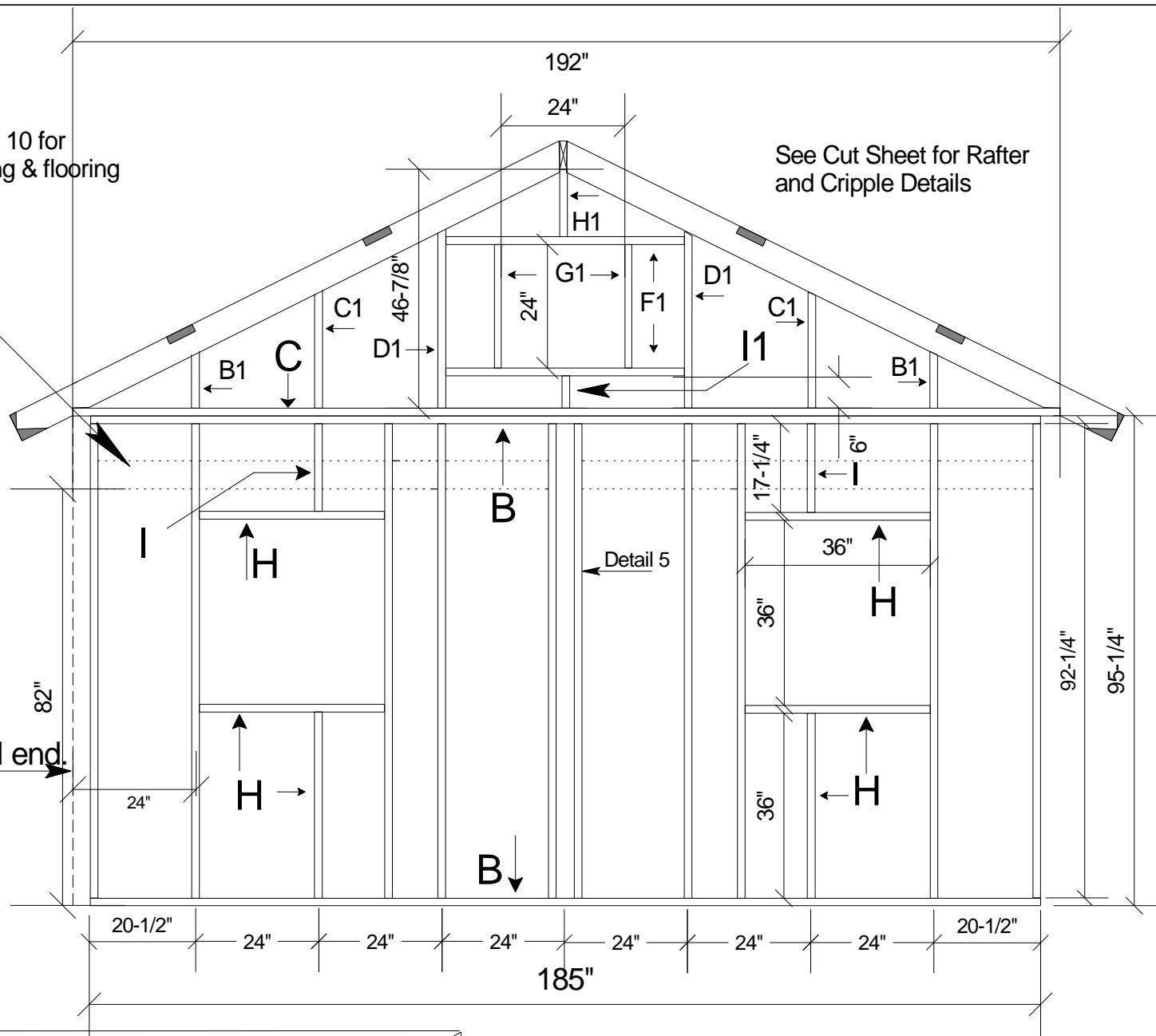
Begin layout with measuring tape **3-1/2" past end** of the end of the plate. Mark for 24" on center. Make two marks as illustrated. Center stud between points.

Detail 8 - Front Wall Framing

See Detail 10 for
Loft framing & flooring

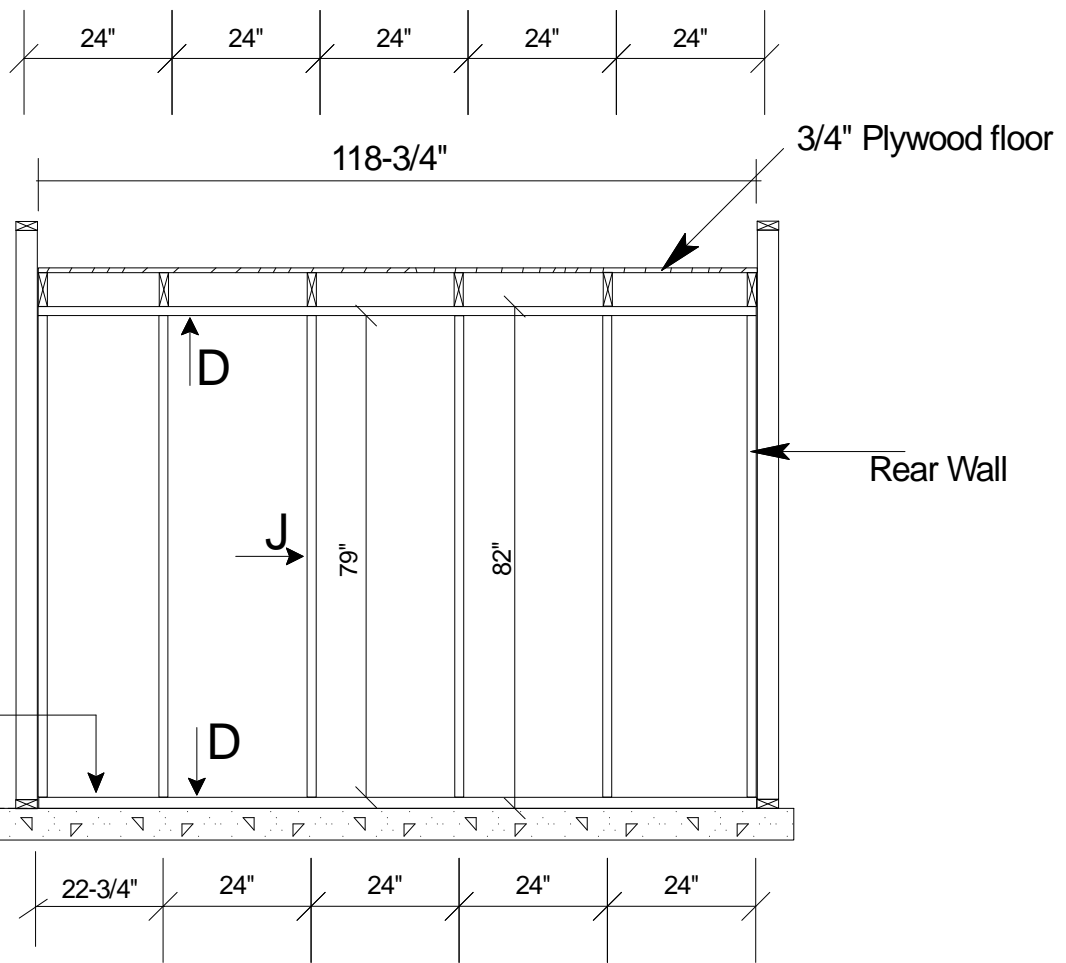
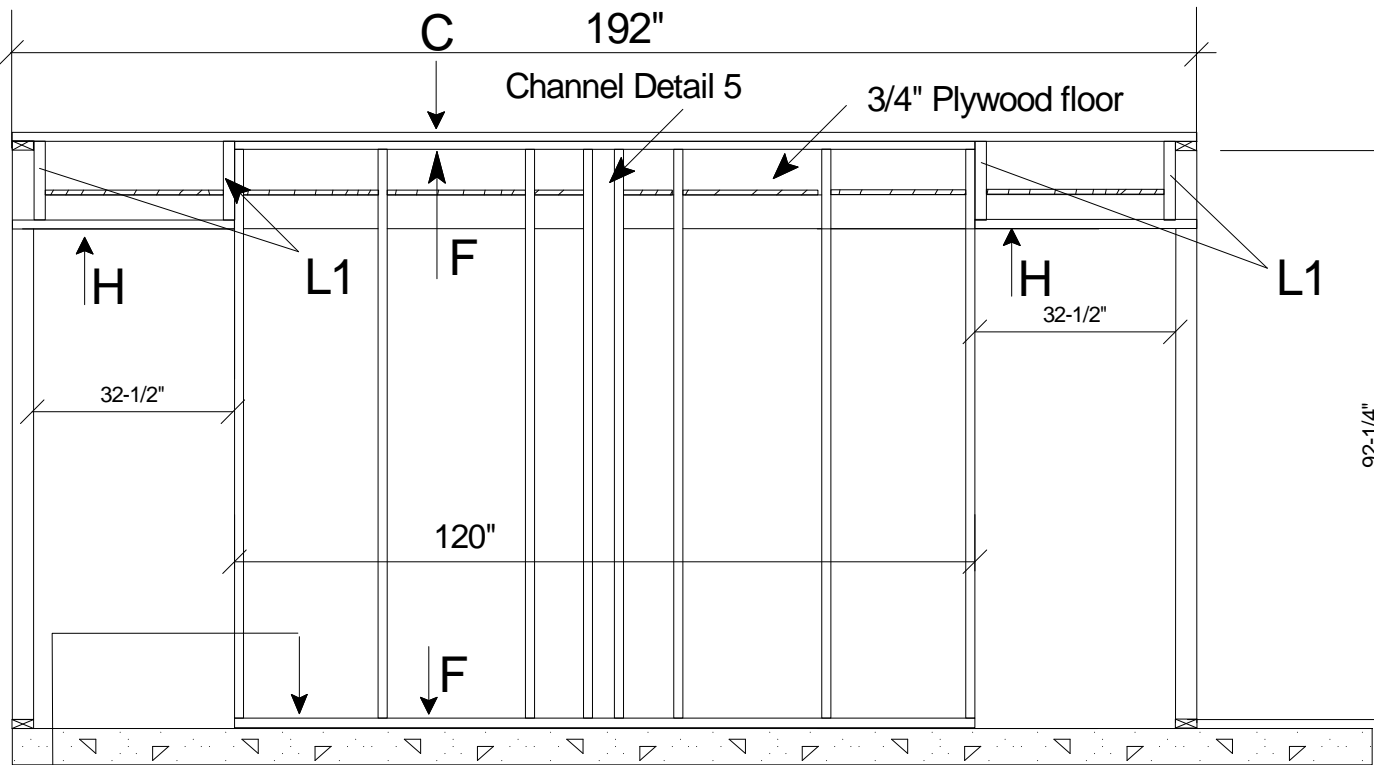
See Cut Sheet for Rafter
and Cripple Details

Long wall end.



Begin layout with measuring tape **3-1/2"** past end
of the end of the plate. Mark for 24" on center.
Make two marks as illustrated. Center stud between points.

Verify all window measurements.
Detail 9 - Rear Wall Framing



Detail 10 - Bedroom Wall Framing

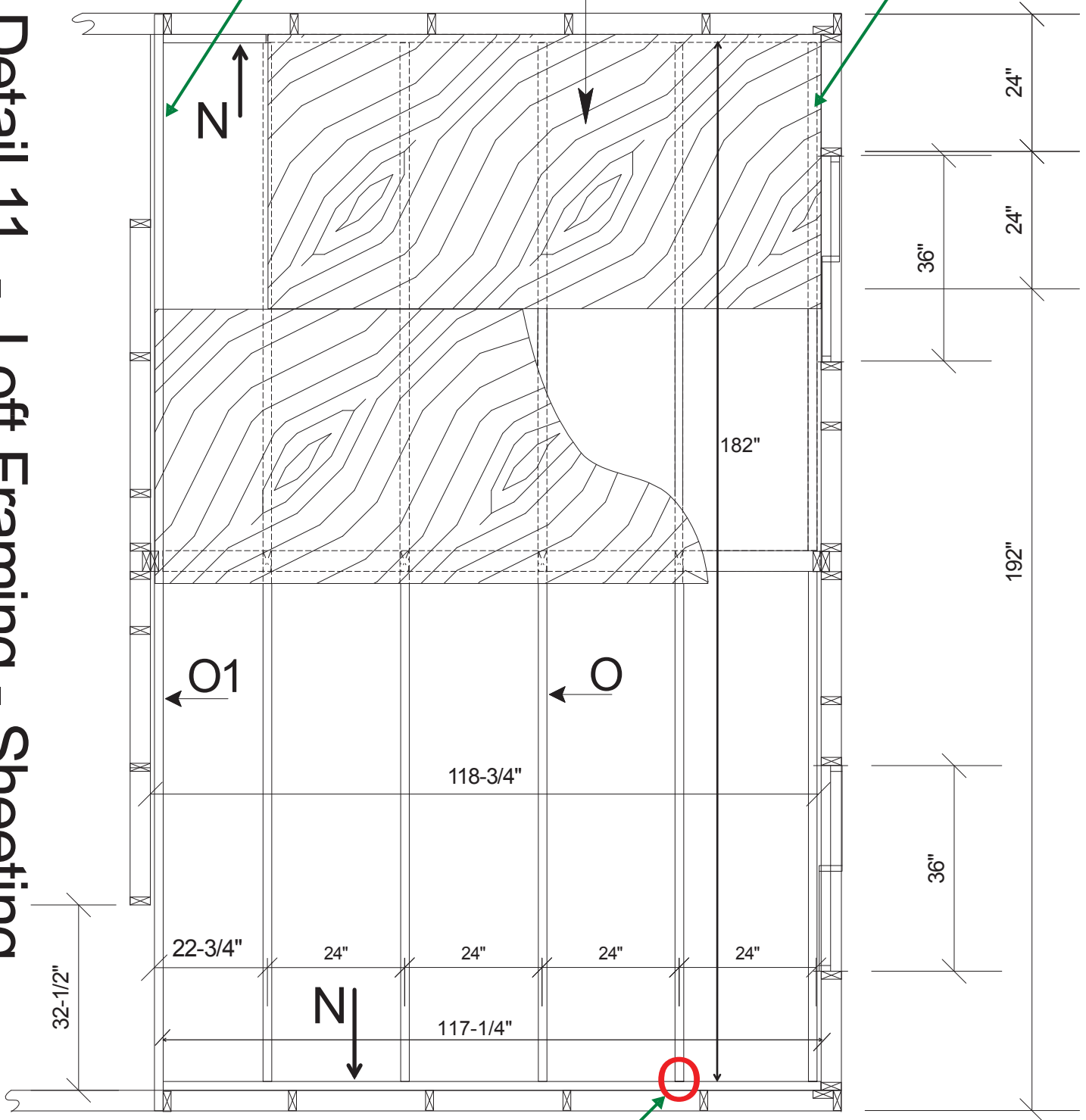
Concrete Nail - one each bay

This one 2x6 attaches to the dividing wall and is 192" long (16', Item O1 on the cut list) The other 5 loft floor joists are 182"

The other 5 2x6 floor joists are 182" long (Item O on the cut list) and attach to the 117-1/4" 2x6 on opposite walls as shown

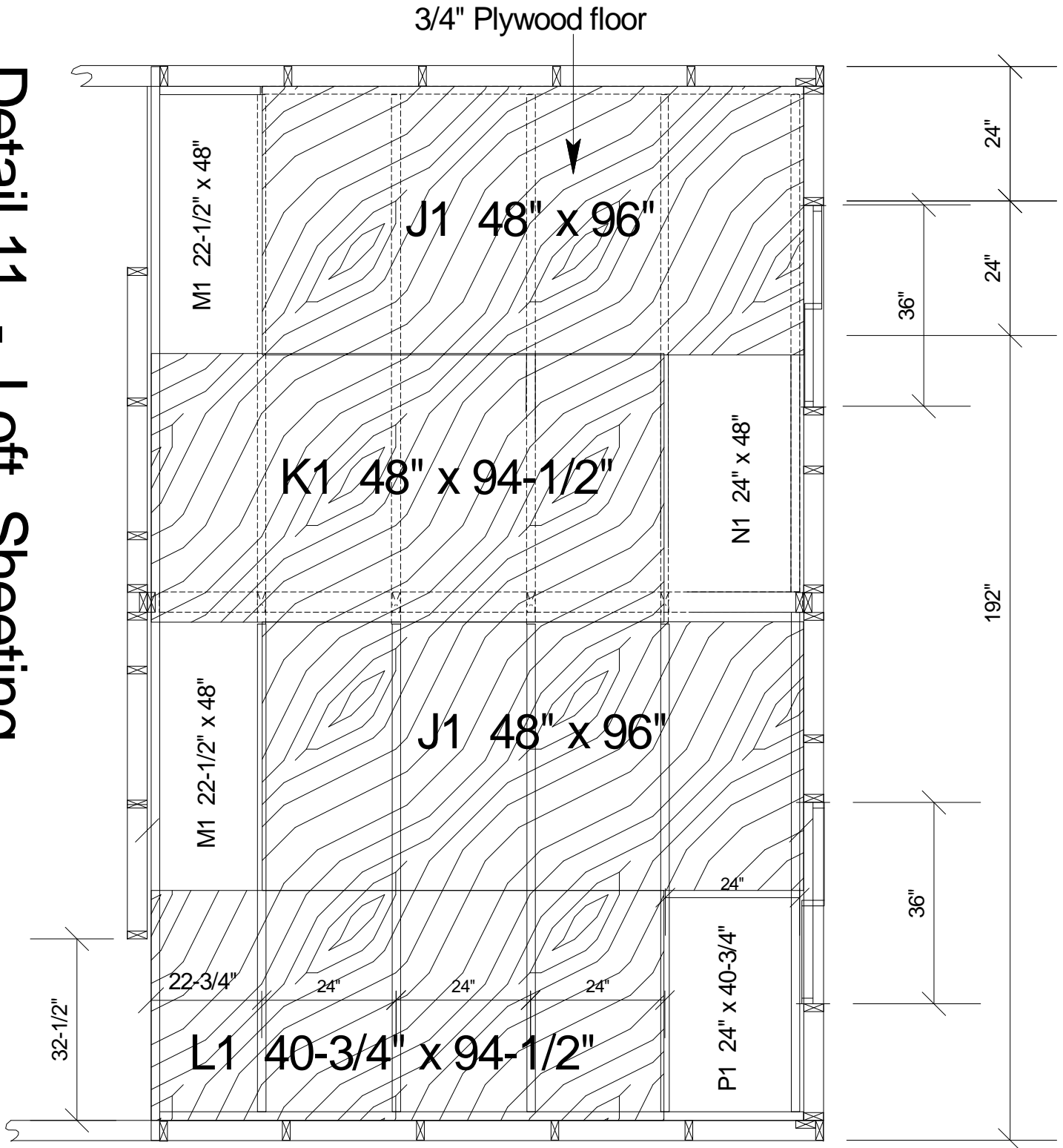
3/4" Plywood floor

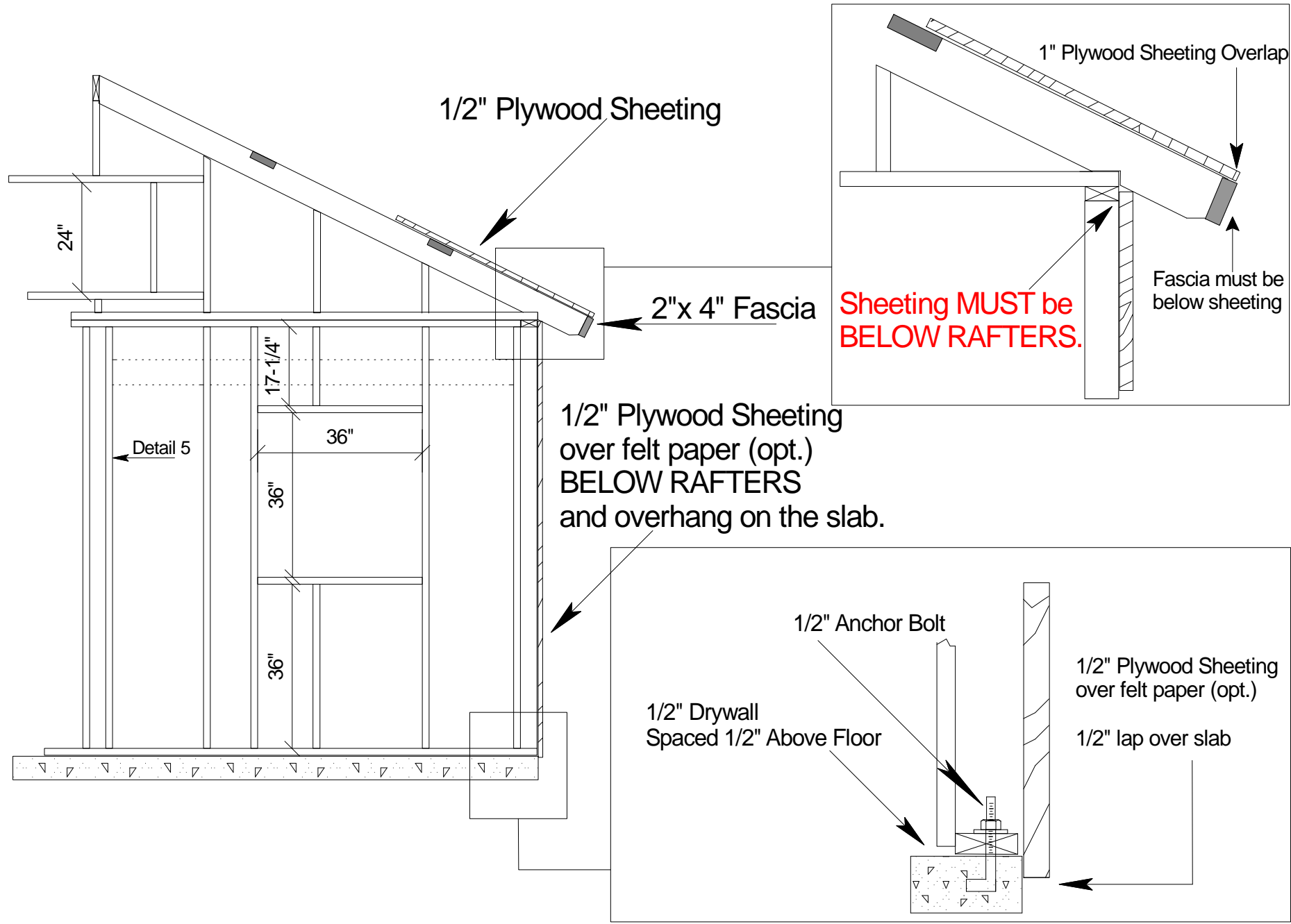
Detail 11 - Loft Framing - Sheeting



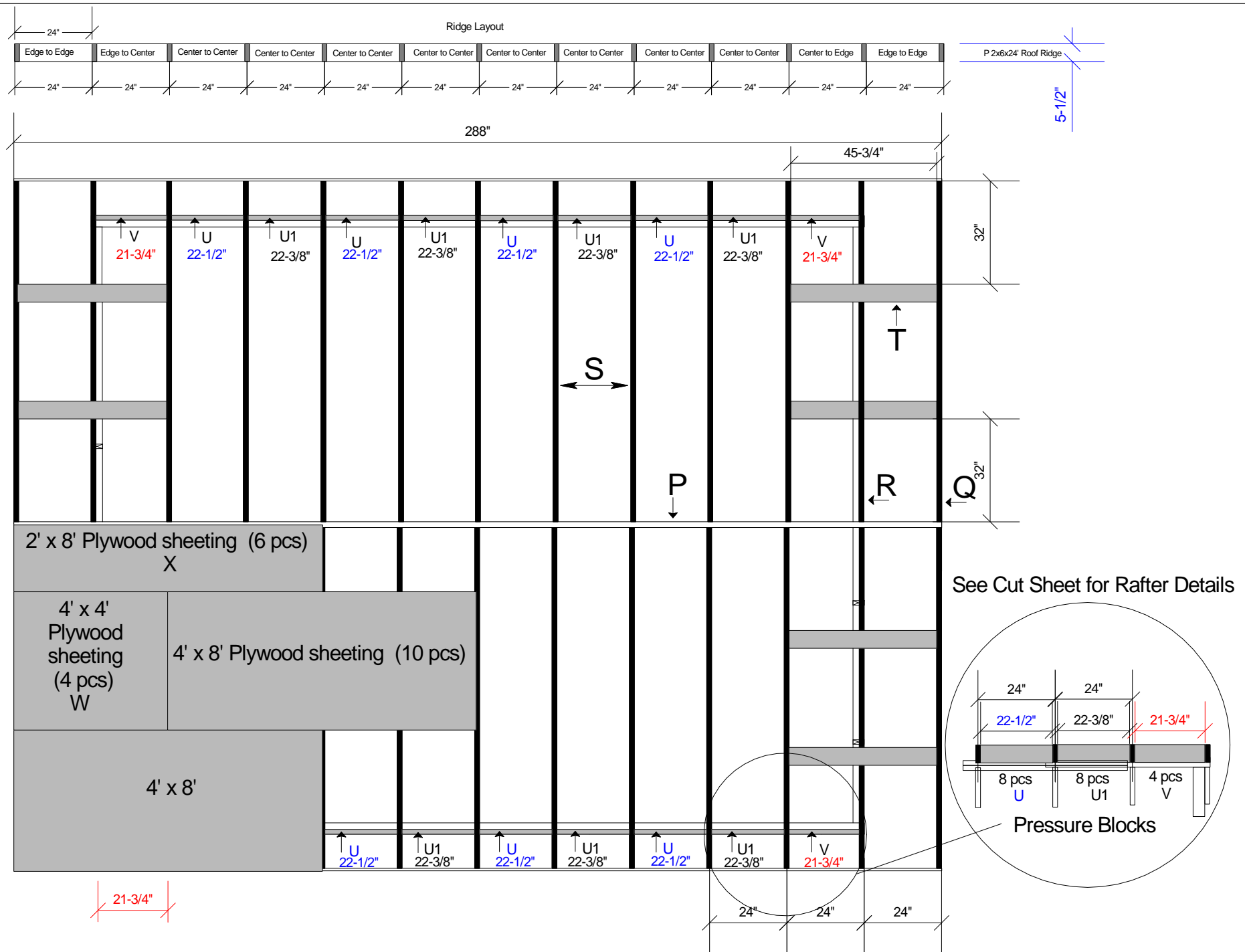
Note: Floor joists attach to 117-1/4" 2x6 (Item N on the cut list) and NOT to the exterior wall 2x4s

Detail 11 - Loft Sheeting





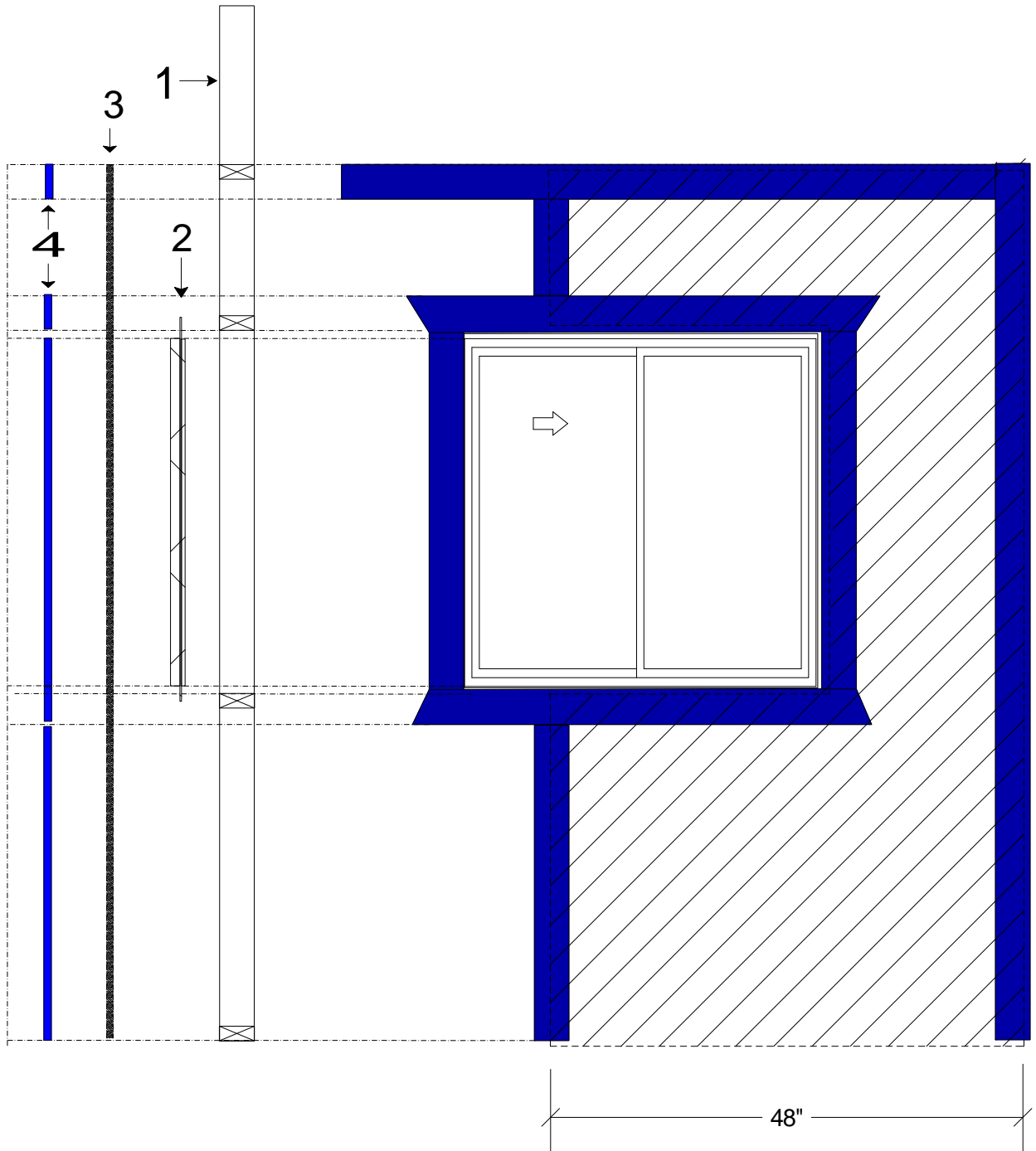
Detail 12 - Wall Section

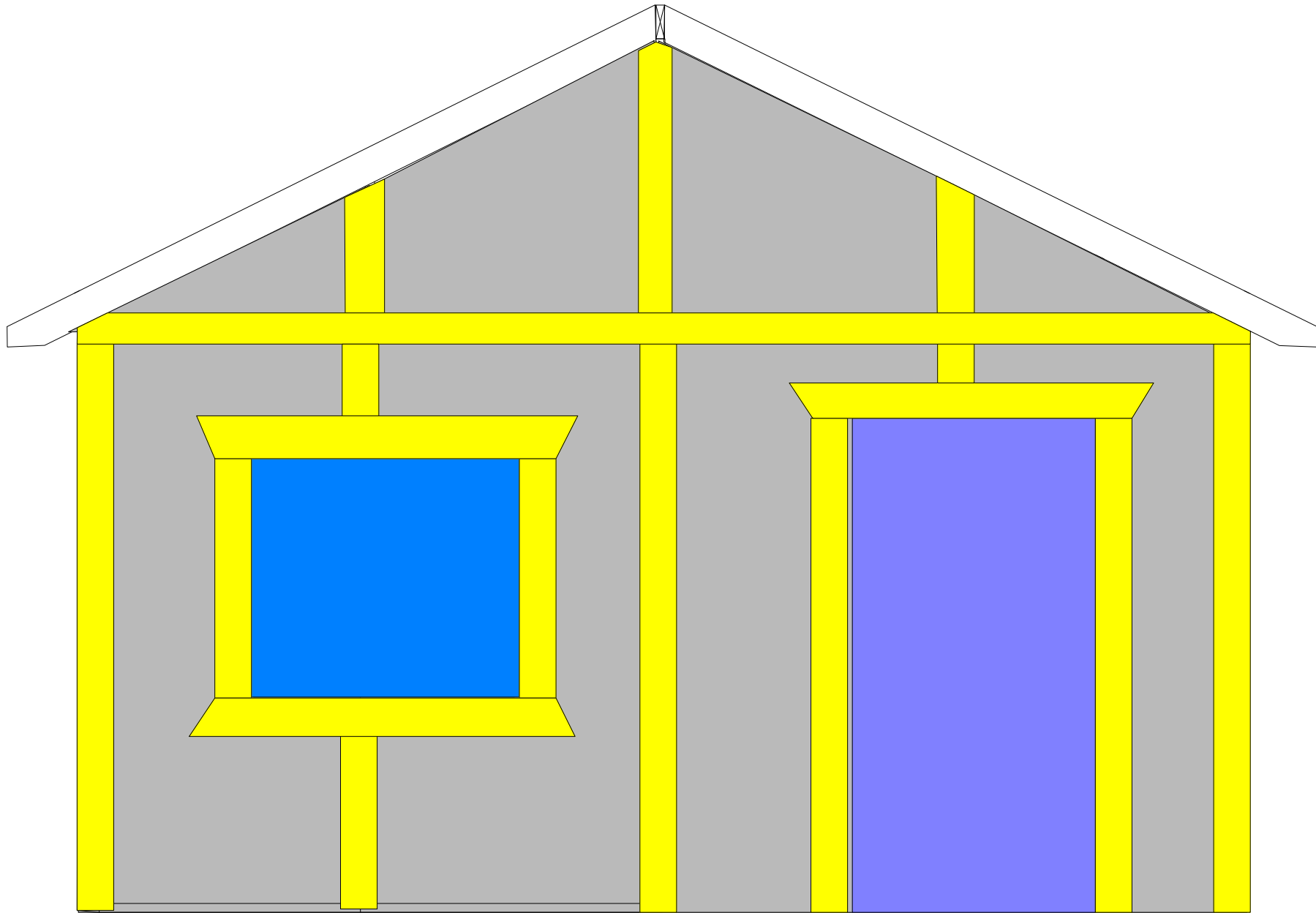


Detail 13 - Roof Plan - Top View

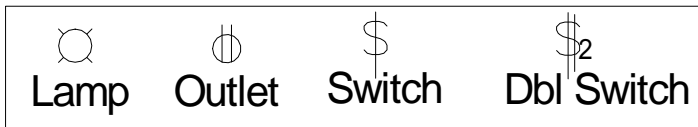
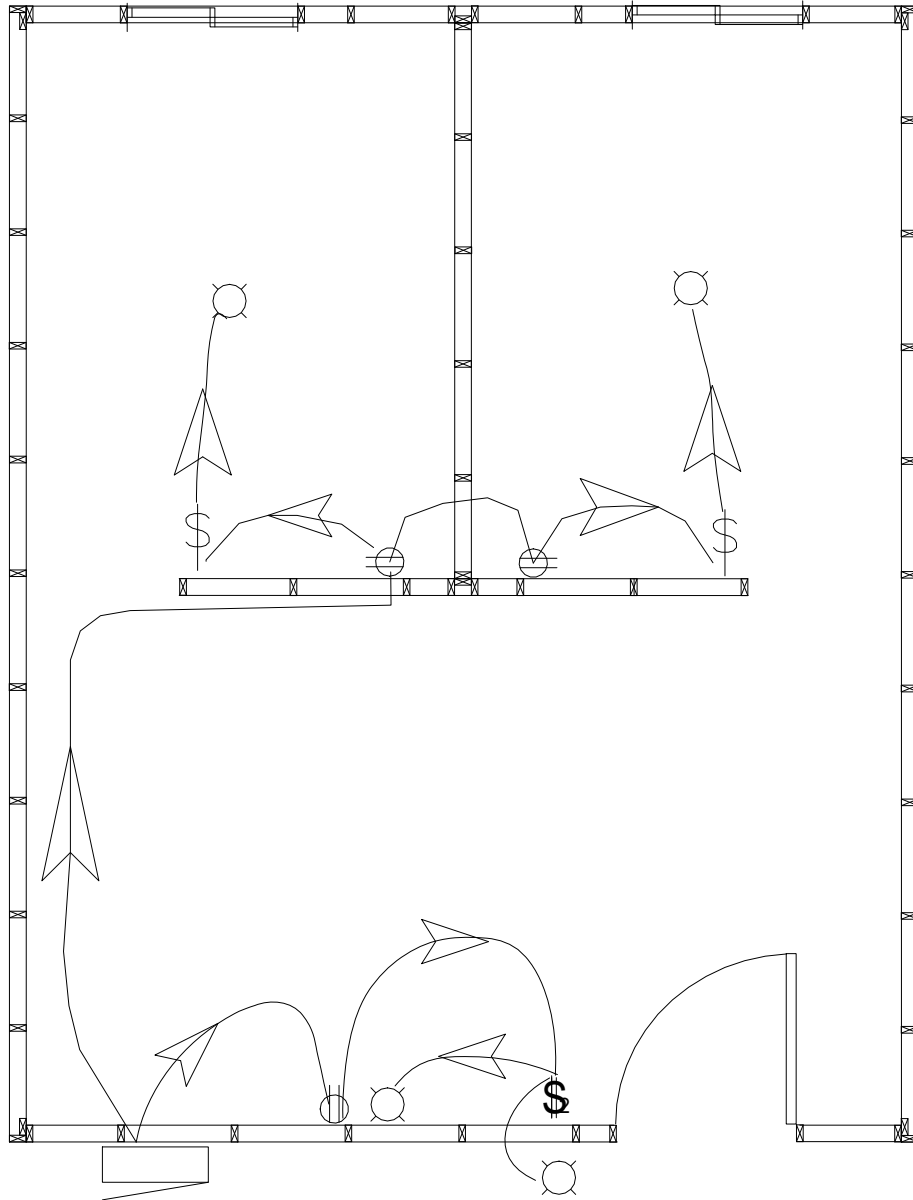
1. Framing First
2. Window Second - 1 Nail each corner
3. Plywood Third
4. Trim Last with caulking around the top and sides

Detail 14 - Window Installation Trim/Sheeting





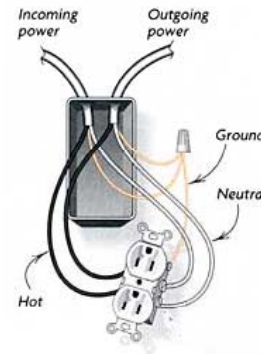
Detail 15 - Typical Trim



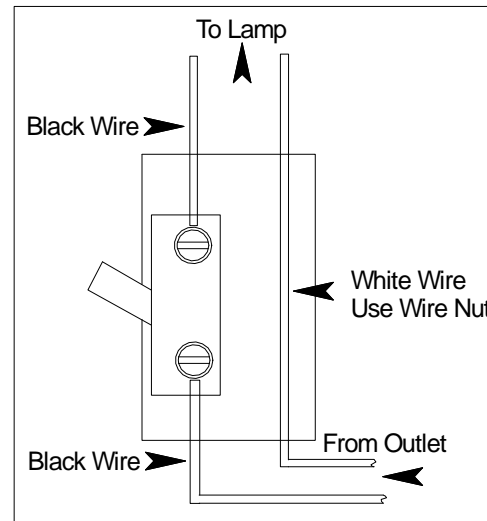
2 Circuits:

First one runs to the bedroom outlets then to the switches then to the lamps.

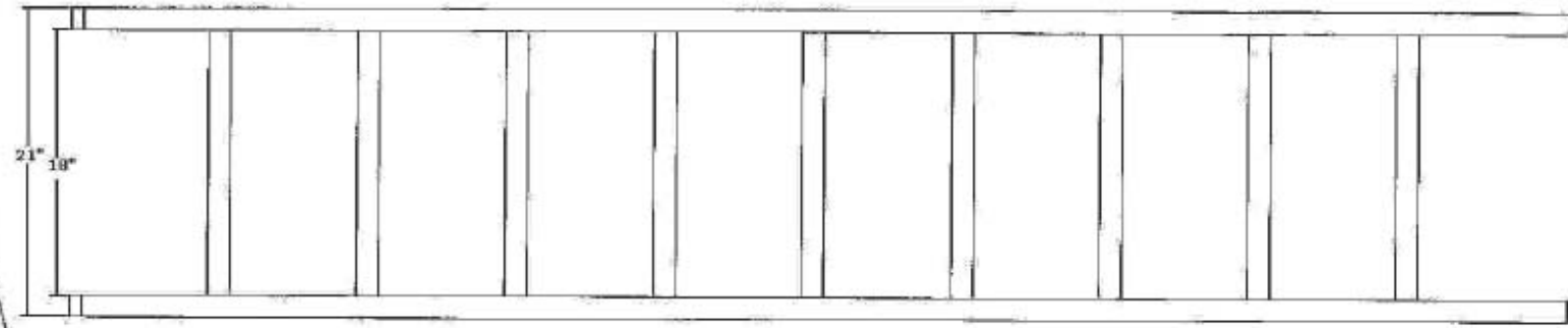
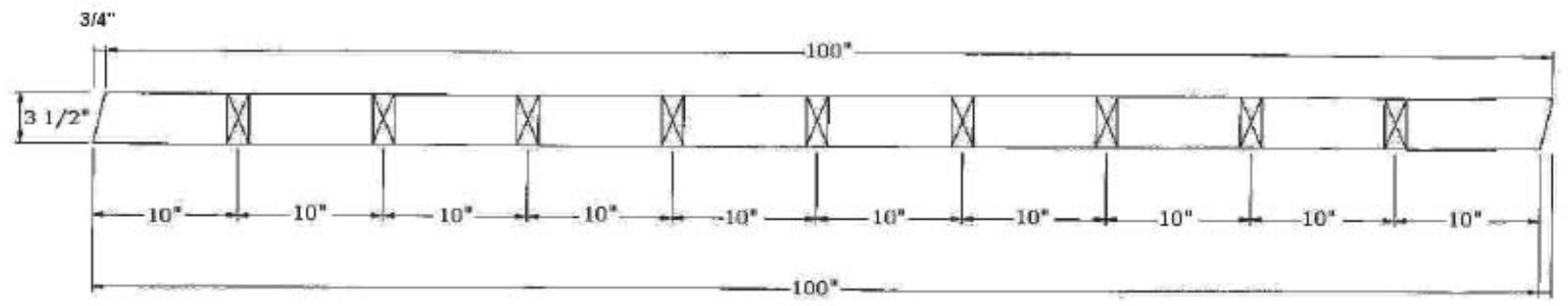
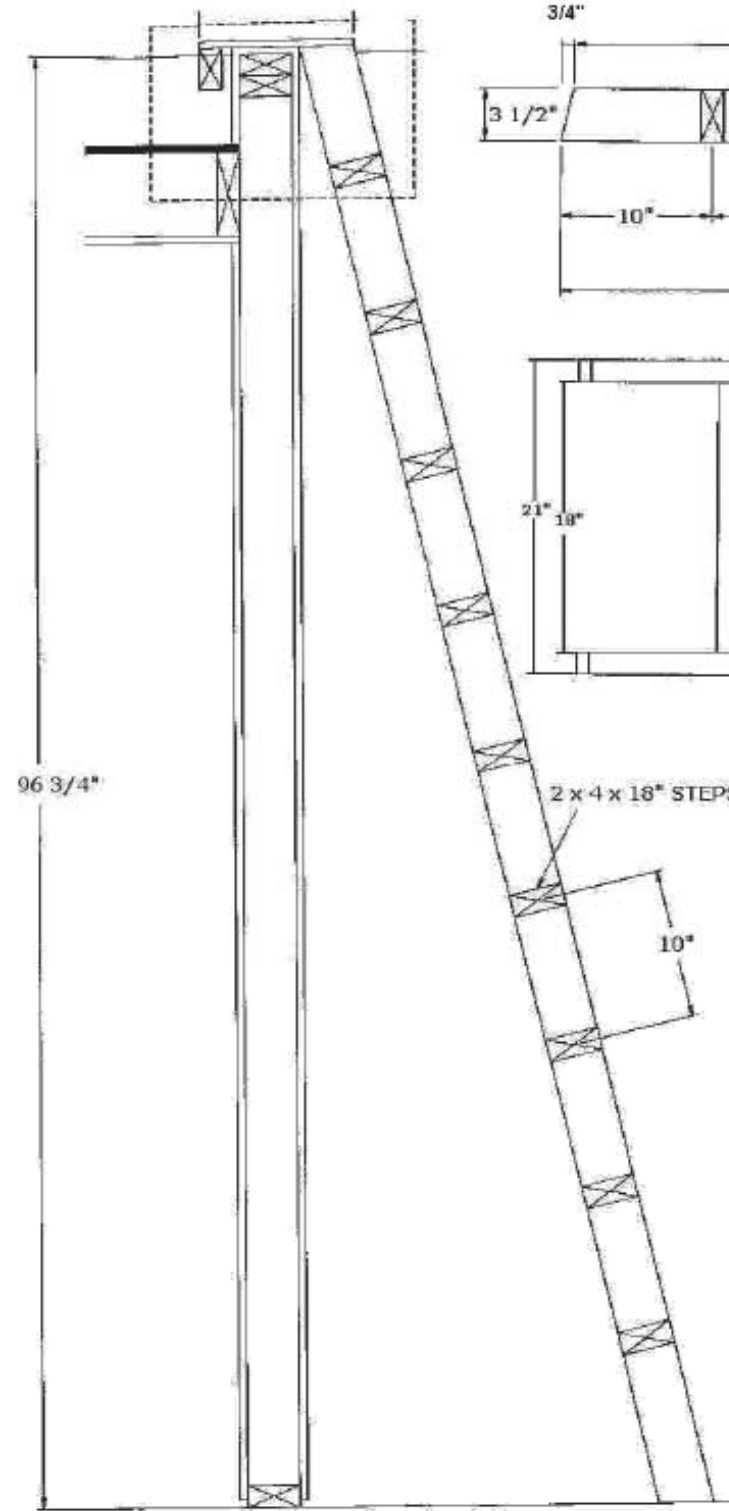
Second one runs to the living room outlet - then to the switch then to the lamps.



Install all outlet boxes 18" above floor and switch 41" above floor and 1/2" out from stud.



Electrical Outline



2 x 4 x 18" STEPS

10"

